

# POOL2-I

Swimming Pool



The pumps include a variable speed drive with 3 configurable speeds for greater comfort and minimized energy costs. In addition: 4 configurable daily filtration cycles, filter cleaning program, pool lighting control, function for water surface cleaning, 2 outputs for activating saline chlorinator and pump status, protection for over voltage, against dry running and pipe breakage.



Variable speed drive

## Construction features

<b>Painting</b>	cataphoresis
<b>Pump body, seal housing, diffuser</b>	polypropylene + fiberglass
<b>Motor bracket</b>	aluminum
<b>Impeller</b>	Noryl®
<b>Mechanical seal</b>	ceramic-graphite-AISI 316
<b>Motor shaft</b>	stainless steel AISI 316
<b>Liquid temperature</b>	max 40 °C
<b>Pre-filter cover</b>	polycarbonate
<b>Opening key for pre-filter lid</b>	polypropylene

## VSD

**Power supply** 1~ 230V - 50Hz

## Motor

**2 poles induction motor** 3~ 230V - 50Hz

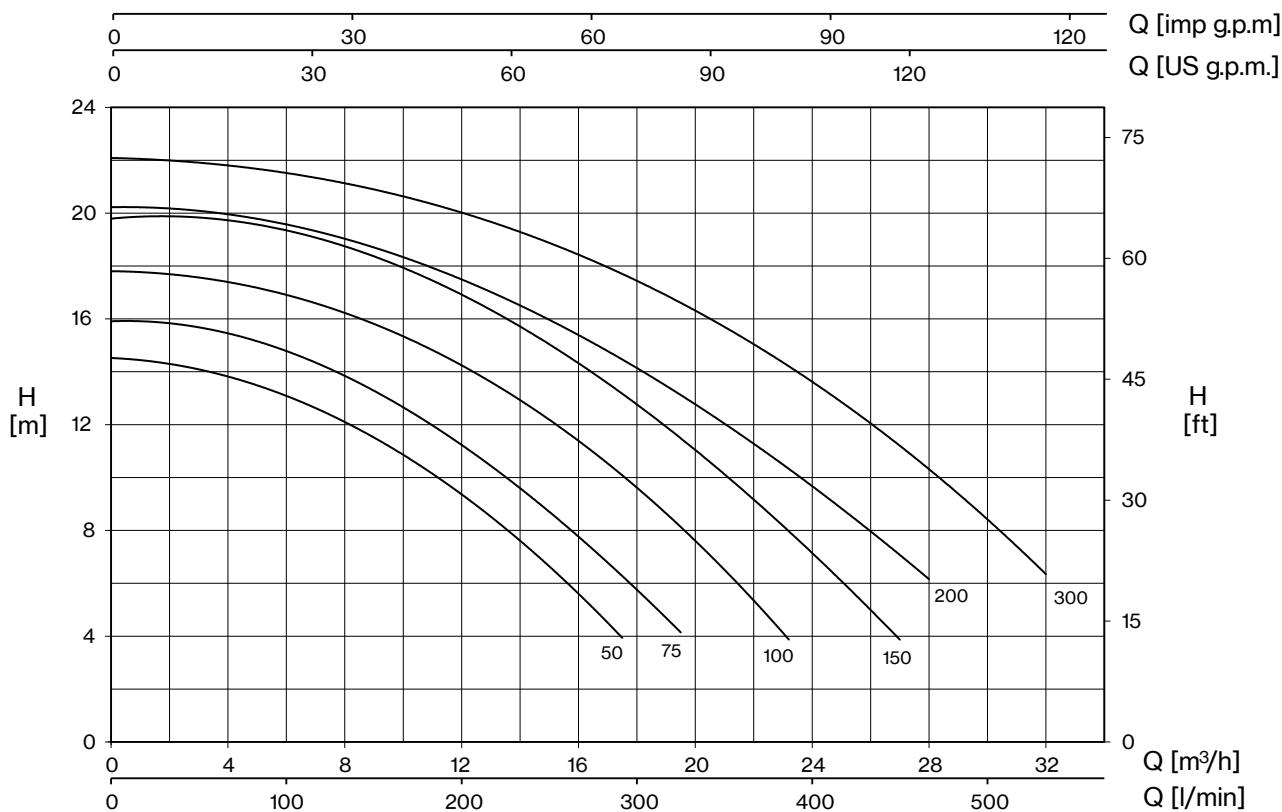
**Insulation class** F

**Protection degree** IP55

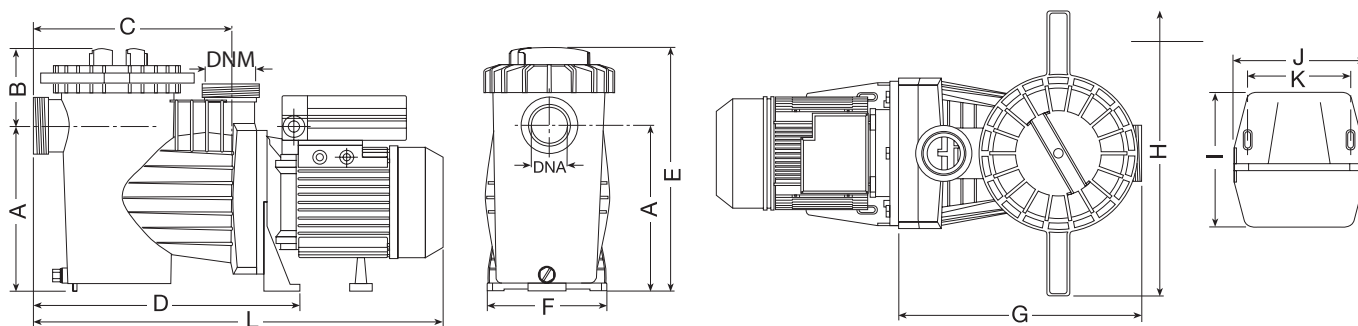
UP TO  
**65%**  
ENERGY SAVING



# POOL2-I



TYPE - 50 Hz	P2		CURRENT		H (m)								
			230V	A	4	6	8	10	12	14	16	18	21
1-	HP	kW	Q (m³/h)										
<b>POOL2-I 50M</b>	0,5	0,37	2,4	17,5	15,6	13,5	11,1	8,4					
<b>POOL2-I 75M</b>	0,75	0,55	3,1	19,5	18,0	15,7	13,5	10,8	7,9				
<b>POOL2-I 100M</b>	1	0,75	3,8	23,2	21,1	19,7	18,0	15,0	12,3	8,7			
<b>POOL2-I 150M</b>	1,5	1,1	5,0	27,0	25,0	23,0	21,0	19,0	17,0	13,0	10,0		
<b>POOL2-I 200M</b>	2	1,5	6,0		28,0	26,0	24,0	21,0	18,0	14,0	12,0		
<b>POOL2-I 300M</b>	3	2,2	8,6		32,0	30,0	29,0	27,0	23,0	20,0	15,0	12,0	



TYPE	DIMENSIONS (mm)																Kg	
	A	B	C	D	E	F	G	H	I	J	K	L	DNA	DNM	L1	A1		H1
<b>POOL2-I 50M</b>	216	109	265	370	325	206	325	400	220	205	160	550	2" Ø 63 PVC		630	230	360	12,7
<b>POOL2-I 75M</b>	216	109	265	370	325	206	325	400	220	205	160	550			630	230	360	12,9
<b>POOL2-I 100M</b>	216	109	265	370	325	206	325	400	220	205	160	550			630	230	360	14,1
<b>POOL2-I 150M</b>	216	109	265	370	325	206	325	400	220	205	160	580			630	230	360	16,5
<b>POOL2-I 200M</b>	216	109	265	370	325	206	325	400	220	205	160	580			630	230	360	18,1
<b>POOL2-I 300M</b>	216	109	265	370	325	206	325	400	220	205	160	630			705	230	360	22