



High-flow self-priming vertical pool pumps at 4 poles up to 10 HP ideal for quiet operation and larger filtration. Cathaphoresis painting, pre-filter in AISI316 and pump body in polypropylene with glass fiber give a remarkable resistance to corrosion. In addition, a large support base make the whole system particularly robust.



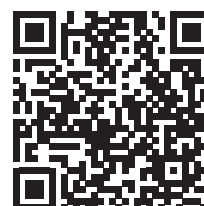
Bronze impeller on request

### Construction features

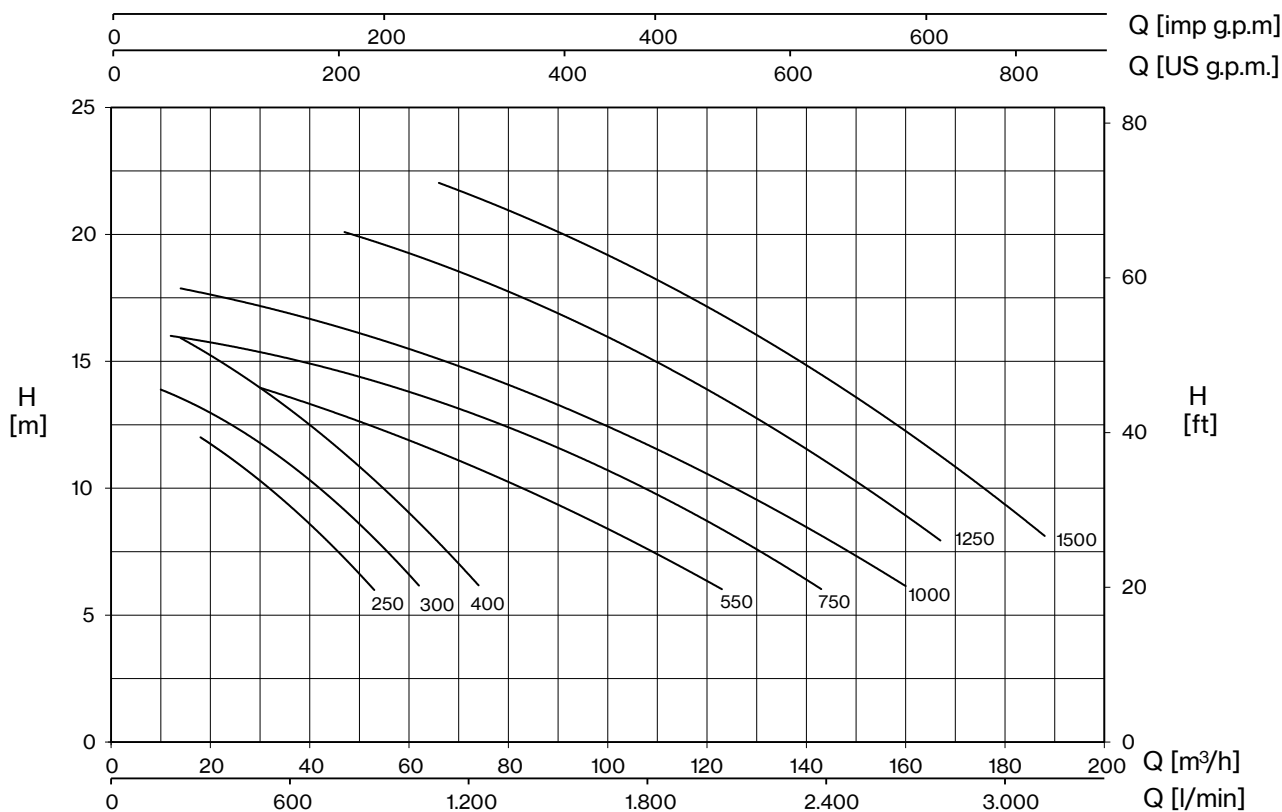
<b>Painting</b>	cataphoresis
<b>Pump body, seal housing, diffuser</b>	polypropylene + fiberglass
<b>Motor bracket</b>	aluminum
<b>Impeller</b>	Noryl®, marine bronze on request
<b>Mechanical seal</b>	ceramic-graphite-AISI 316
<b>Motor shaft</b>	stainless steel AISI 316
<b>Liquid temperature</b>	max 40 °C
<b>Pre-filter</b>	stainless steel AISI 316L

### Motor

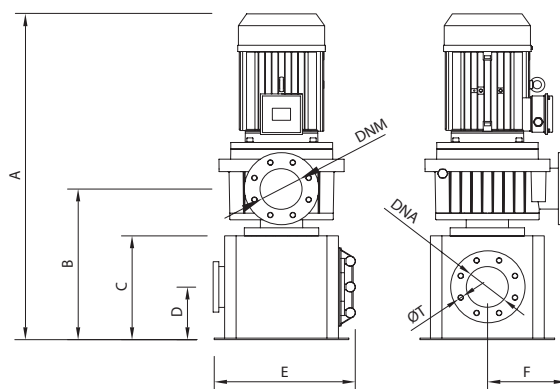
<b>4 or 2 poles induction motor</b>	3~ 230V/400V - 50Hz 3~ 400V/690V - 50Hz
<b>Insulation class</b>	F
<b>Protection degree</b>	IP55



# V-POOL4



TYPE	P2		AMPERE		rpm	H (m)												Minimum size of suction pipe
			3~	3~		6	8	10	12	14	16	18	20	22				
	HP	kW	230 V	400V		Q (m³/h)												
V-POOL4 4-250	2,5	1,8	8,5	4,9	1450	53	43	32	18									110
V-POOL4 4-300	3	2,2	9,4	5,3	1450	62	54	43	26	10								125
V-POOL4 4-400	4	3	12,5	6,9	1450	74	66	56	42	29	14							140
V-POOL4 4-550	5,5	4	15,3	8,8	1450	123	104	84	57	30								160
V-POOL4 4-750	7,5	5,5	-	12	1450	143	127	107	85	57	12							180
V-POOL4 4-1000	10	7,5	-	15,8	1450	160	145	126	107	80	48	14						180
V-POOL4 2-1250	12,5	9,2	-	18,5	2850		167	152	136	118	99	80	47					180
V-POOL4 2-1500	15	11	-	20,9	2850		188	177	162	146	130	112	92	66				200



TYPE	DIMENSIONS (mm)												Kg
	A	B	C	D	E	F	DNA	DNM	ØT	A1	H1	L1	
V-POOL4 4-250	903	503	338	169	410	325	125	100	16	700	923	840	85
V-POOL4 4-300	903	503	338	169	410	325				700	923	840	85,5
V-POOL4 4-400	903	503	338	169	410	325				700	923	840	87,5
V-POOL4 4-550	923	503	338	169	410	325				700	943	1170	96,5
V-POOL4 4-750	923	503	338	169	410	325				700	943	1170	109
V-POOL4 4-1000	923	503	338	169	410	325				700	943	1170	119
V-POOL4 2-1250	923	503	338	169	410	325				700	943	1170	127,5
V-POOL4 2-1500	923	503	338	169	410	325				700	943	1170	128,5