



### Application

- It is used for water circulation in all kinds of small domestic swimming pools. Slightly dirty water with solids in suspension can be perfectly filtered.

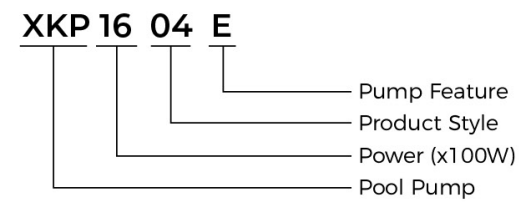
### Pump

- Engineering plastic pump body
- Medium temperature: 5 - 50°C
- Environmental temperature: ≤40°C
- Max. suction: 3.5 m

### Motor

- Motor with copper or aluminum winding
- Built-in thermal protector for single phase motor
- Insulation class: F
- Protection class: IPX5

### Identification Codes

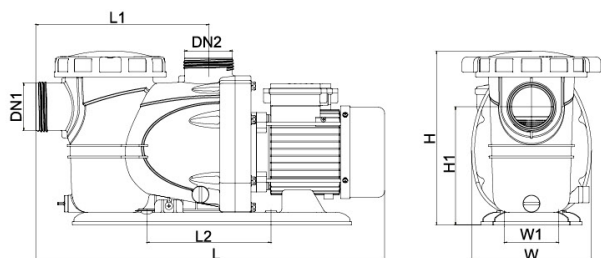


### Technical Data

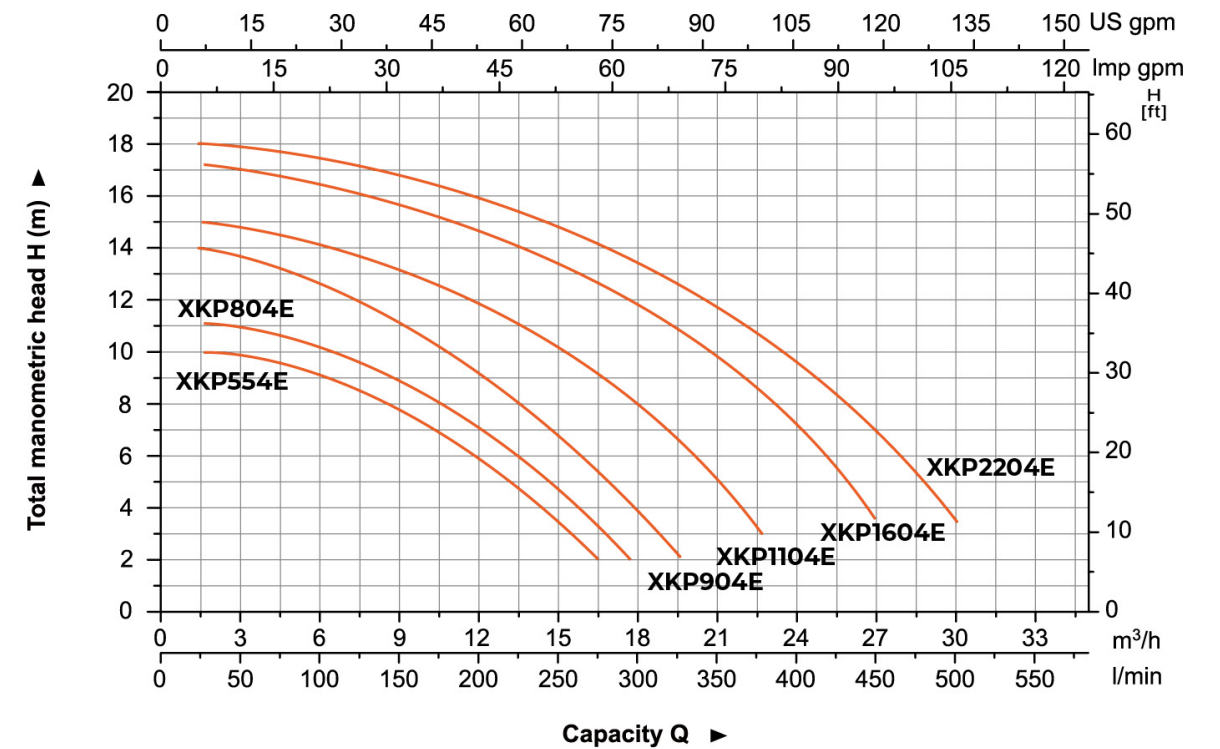
Model	Power W	Q(m <sup>3</sup> /h) Q(l/min)	3	6	9	12	15	18	21	24	27	30
			H (m)									
XKP554E	600		10	9	8	6	3.2	0.5	-	-	-	-
XKP804E	800		11	10.3	8.8	7	4.5	1.5	-	-	-	-
XKP904E	900		14	12.3	11.1	9.2	6.5	3.4	0.2	-	-	-
XKP1104E	1100		15	14.2	13.2	12	10.3	8	4.8	-	-	-
XKP1604E	1600		17	16.3	15.5	14.5	13.5	12	9.6	7	3.5	-
XKP2204E	2200		18	17.3	16.5	16	14.8	13.4	11.7	9.5	6.5	3.3

### Dimension

Model	DN1	DN2	L (mm)	W (mm)	H (mm)	L1 (mm)	L2 (mm)	H1 (mm)
XKP554E	48.5\50	48.5\50	554	190	276	274	197	187
XKP804E			554	190	276	274	197	187
XKP904E			554	190	276	274	197	187
XKP1104E			554	190	276	274	197	187
XKP1604E			584	190	276	274	197	187
XKP2204E			584	190	276	274	197	187

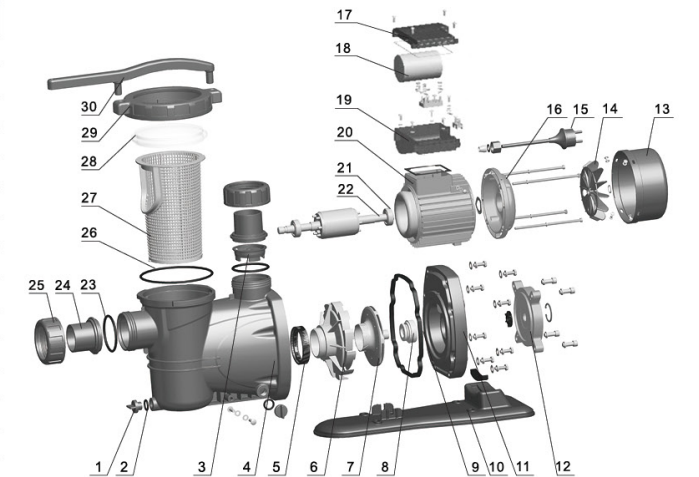


### Hydraulic Performance Curves



### Materials Table

No.	Part	Material	No.	Part	Material
1	Drain plug	PP	16	Rear cover	ZL102
2	O-ring	NBR	17	Capacitor cover	ABS
3	Valve body	PP	18	Capacitor	
4	Pump body	PP	19	Terminal box	ABS
5	Diffuser seal washer	NBR	20	Stator	
6	Diffuser	PP	21	Bearing	
7	Impeller	PPO	22	Rotor	
8	Mechanical seal	Graphite/Ceramics	23	O-ring	NBR
9	Sealing ring	NBR	24	Connector	PVC
10	Bottom board	PP	25	Nut	ABS
11	Plastic support	PP	26	O-ring	EPDM
12	Pump support	ZL102	27	Sieve	PP
13	Fan cover	PP	28	Pump cover	PC
14	Fan	PP	29	Pump cover nut	PA6
15	Cable		30	Wrench	PP



### Package Information

Model	GW (Kgs)	L (mm)	W (mm)	H (mm)	Quantity (PCS/20'TEU)
XKP554E	10.4	605	205	290	816
XKP804E	11.1	605	205	290	816
XKP904E	12.1	605	205	290	816
XKP1104E	12.8	650	205	290	816
XKP1604E	16.1	645	230	290	720
XKP2204E	17.7	645	230	290	720

