



Self priming pumps for pools with a large built-in pre-filter, which, together with the excellent hydraulic performance of the pump, generates a very high filtration capacity. The transparent polycarbonate lid easily allows inspection of the pre-filter sieve. Pump body, seal housing and diffuser reinforced with glass fibre polypropylene are resistant to chemical products used for pools and guarantee excellent duration.

### Construction features

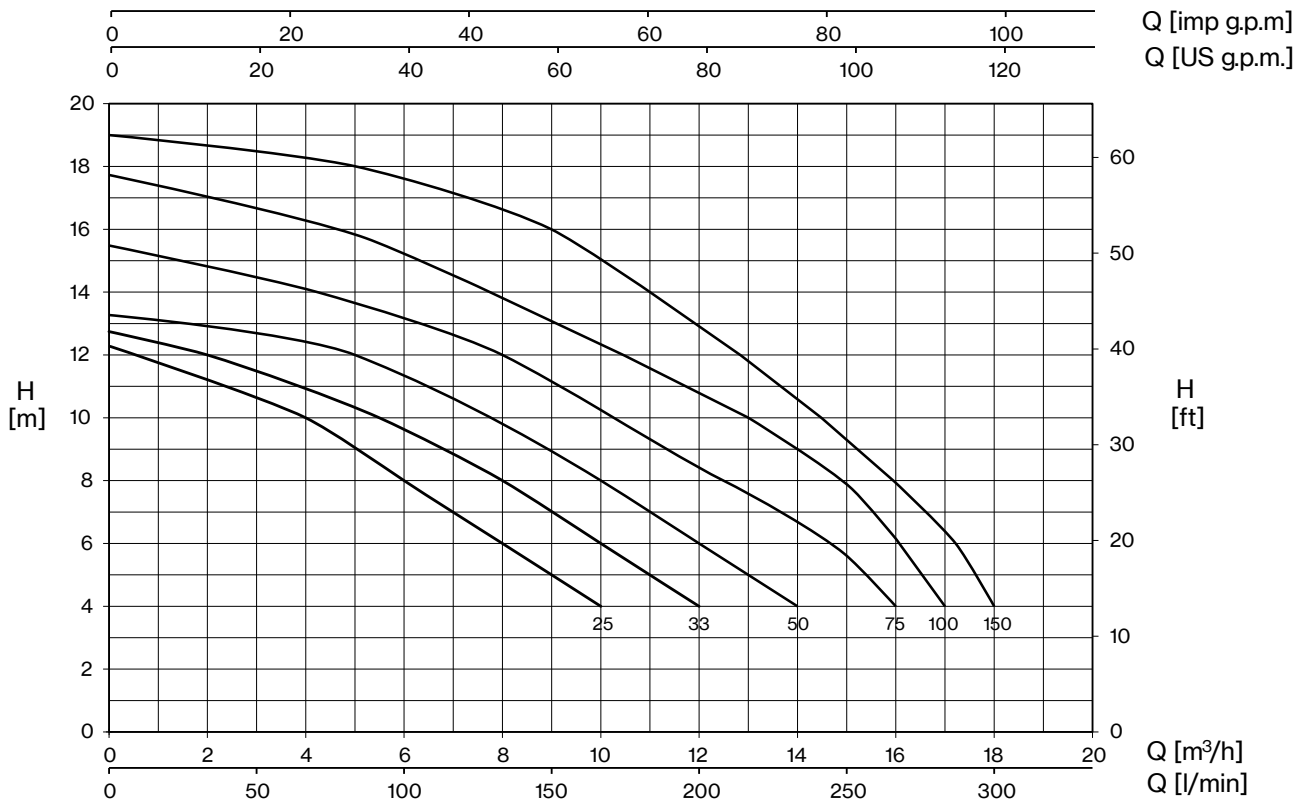
<b>Painting</b>	cataphoresis
<b>Pump body, seal housing, diffuser</b>	polypropylene
<b>Motor bracket</b>	aluminum
<b>Impeller</b>	Noryl®
<b>Mechanical seal</b>	ceramic-graphite-AISI 316
<b>Motor shaft</b>	stainless steel AISI 316
<b>Liquid temperature</b>	max 40 °C
<b>Pre-filter cover</b>	polycarbonate

### Motor

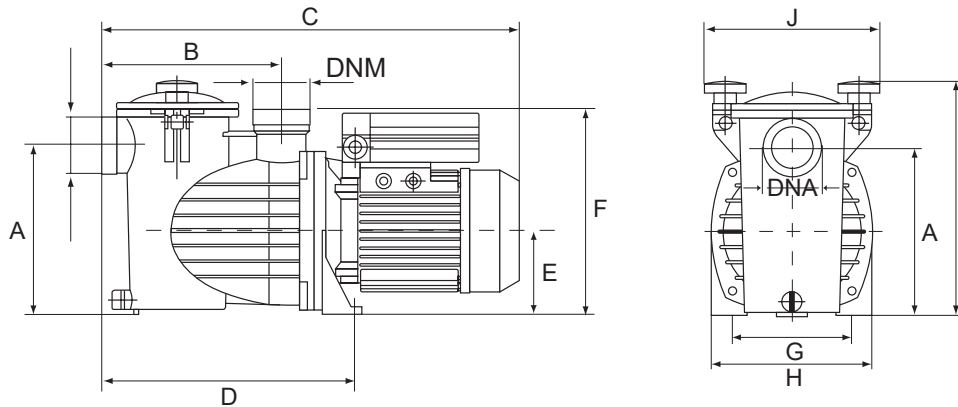
	3~ 230/400V - 50Hz
<b>2 poles induction motor</b>	1~ 230V - 50Hz
<b>Insulation class</b>	F
<b>Protection degree</b>	IP55



# POOL1



TYPE		P2		μF	AMPERE			H (m)									
1~	3~	HP	kW		1~ 230 V	3~ 230 V	3~ 400 V	4	6	8	Q (m³/h)		10	12	14	16	18
POOL1 25M	POOL1 25T	0,25	0,16	10	2,6	1,3	0,8	10,0	8,0	6,0	4,0	0,5					
POOL1 33M	POOL1 33T	0,33	0,25	10	2,9	1,9	1,1	12,0	10,0	8,0	5,5	2,0					
POOL1 50M	POOL1 50T	0,5	0,37	18	3,3	2,5	1,4	14,0	12,0	10,0	7,0	5,0					
POOL1 75M	POOL1 75T	0,75	0,55	12	3,8	3,0	1,7	16,0	15,0	12,5	10,0	8,0	4,2				
POOL1 100M	POOL1 100T	1	0,75	20	4,2	3,4	2,0	17,0	16,0	15,3	13,0	10,5	7,6	5,5			
POOL1 150M	POOL1 150T	1,5	1,1	20	7,3	5,0	2,9	18,0	17,3	15,9	14,5	12,8	11,0	9,0	5,0		



TYPE	DIMENSIONS (mm)														Kg	
	A	B	C	D	E	F	G	H	I	J	DNA	DNM	L1	A1		H1
POOL1 25M	191	205	470	285	95	233	140	180	265	197	1" 1/2 Ø 50 PVC		630	230	360	9,5
POOL1 25T																10,8
POOL1 33M	191	205	470	285	95	233	140	180	265	197						9,5
POOL1 33T																10,8
POOL1 50M	191	205	470	285	95	233	140	180	265	197						9,5
POOL1 50T																10,8
POOL1 75M	191	205	470	285	95	233	140	180	265	197						10,9
POOL1 75T																10,8
POOL1 100M	191	205	470	285	95	233	140	180	265	197						10,9
POOL1 100T											10,8					
POOL1 150M	191	205	470	285	95	233	140	180	265	197	11,6					
POOL1 150T											11,8					