



## TECHNICAL DATA

TYPE	P <sub>2</sub>		Power supply		Continuous duty current
	kW	HP	Volt	Hz	
Single-phase					
<b>EASYPRESS</b>	<b>1.5</b>	<b>2</b>	<b>230</b>	<b>50/60</b>	<b>13 A</b>



The **EASYPRESS** features 2 LED indicators to show the system's operating status and alerting to any issues through blinking patterns. A guide on the user interface helps to identify specific problems indicated by the LEDs..



## APPLICATION LIMITS

- ✘ Liquid temperature up to **+55 °C**
- ✘ Ambient temperature up to **+40 °C**
- ✘ Maximum operating pressure **10 bar**
- ✘ Protection rating: **IP 65**

## PATENTS - TRADE MARKS - MODELS

- ✘ Registered Community Model No. 868062
- ✘ Patent No. IT 1388969, IT 1388970
- ✘ EASYPRESS® registered trademark No. 0001334481

## ACCESSORIES

- ✘ **GSR** Special three-piece coupling with o-ring seal (1")



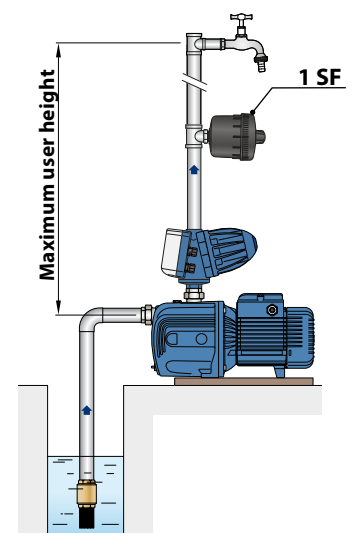
## AVAILABLE UPON REQUEST

- ✘ **EASYPRESS** version with **0.8 bar** restart pressure ●
- ✘ **EASYPRESS** version with restart pressure **2.2 bar** ●
- ✘ Version with power cable with Schuko plug and motor pump connection cable

## Maximum user height



## Typical installation



## PERFORMANCE RANGE

- ✘ Restart pressure: **1.5 bar** ●
- ✘ Maximum volume capacity: **170 l/min** (10 m<sup>3</sup>/h)

## INSTALLATION AND USE

**EASYPRESS** is a durable and reliable electronic device designed to control and safeguard single-phase domestic pumps with a power capacity up to **2 HP**.

## PRODUCT DESCRIPTION

- ✘ **EASYPRESS** features a pressure sensor and a flow sensor linked to an electronic system that automatically activates the pump when a faucet's opening lowers the pressure below a specified level and deactivates it when the flow stops or dips under **2 l/min**.

- ✘ **The EASYPRESS** is equipped with:
  - Circuit board
  - Pressure Gauge
  - Integrated micro-accumulation enables operation even without an expansion tank, though the use of a **1SF tank is recommended**.

## The integrated electronics protect the pump from:

- ✘ dry running
- ✘ frequent start-ups due to leaks in the system;
- ✘ lockout due to plant inactivity.

## DIMENSIONS AND WEIGHT

