




Drainage pumps with open impeller for pumping liquids with suspended solids. Characterized by high head. The single-phase version includes a built-in capacitor, a thermal protector and it can be equipped with a float switch.



White water

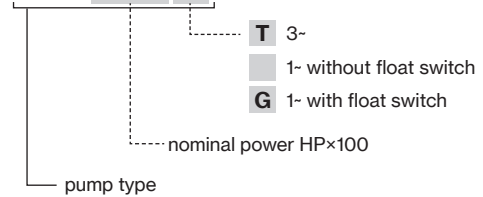
Construction features

| | |
|---|--|
| Painting | cataphoresis |
| Pump body | cast iron |
| Shell, motor cover, base support | stainless steel |
|  Impeller | brass |
| Mechanical seal | double seal with oil barrier; silicon carbide on pump side, sealing ring on motor side |
| Motor shaft | stainless steel AISI 430 |
| Free passage | Ø max 10 mm |
| Max submergence | 5 m |
| Liquid temperature | 0 - 40 °C |
| Cable | H07 RN8F, 10 m |
| G | float switch |

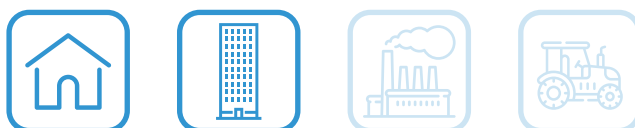
Motor

| | |
|--------------------------------|---|
| | 3~ 400V - 50Hz |
| 2 Poles induction motor | 1~ 230V - 50Hz (with thermal protection) |
| Insulation class | F |
| Protection degree | IPX8 |

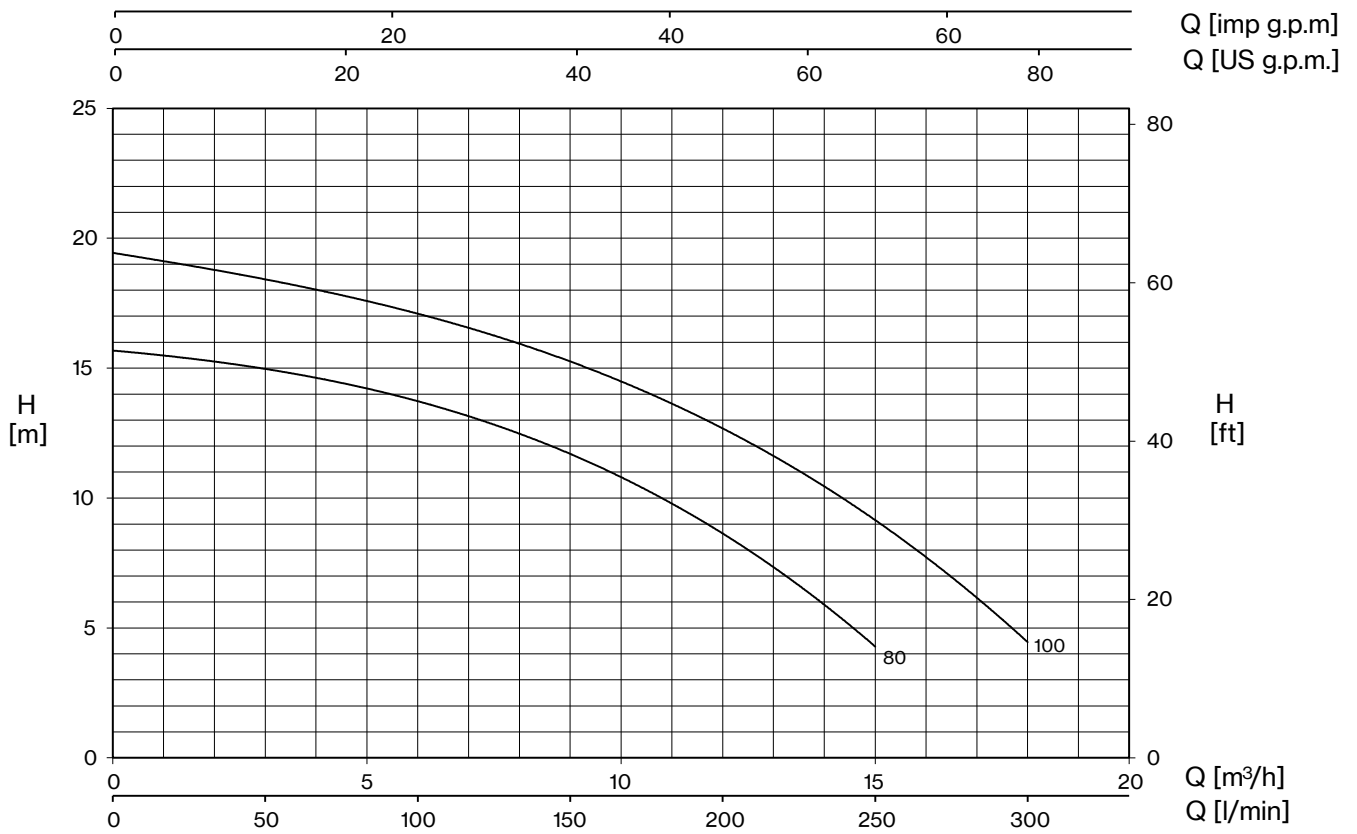
DR 100 G



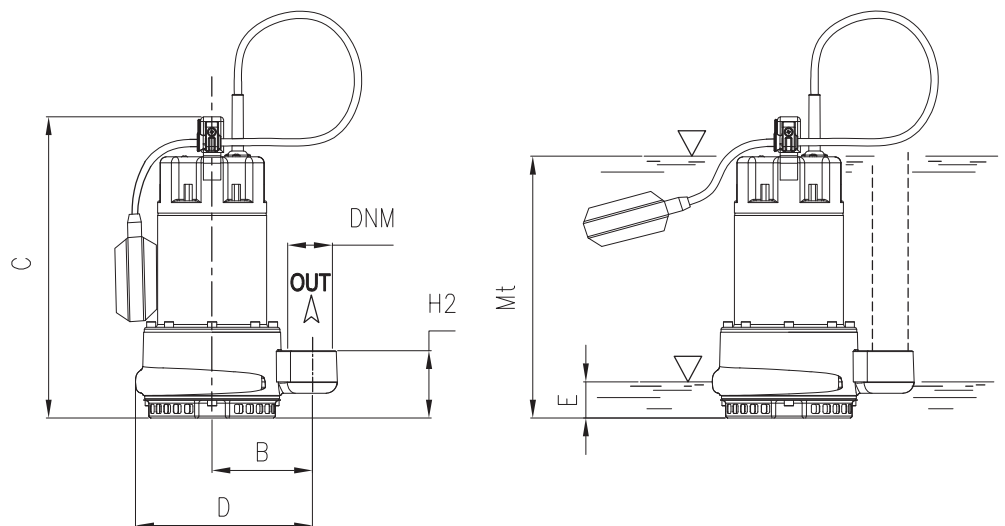
| TYPE | LOTS | | | |
|------|-------------|----------|-------------|----------|
| | TRUCK | | CONTAINER | |
| | PALLET (cm) | N° pumps | PALLET (cm) | N° pumps |
| DR | 80x120x125 | 57 | 80x120x165 | 76 |



DR



| TYPE | | W | AMPERE | | Q (m³/h - l/min) | | | | | | |
|------------|---------|------|------------------|------------------|------------------|------|------|------|------|-----|-----|
| 1~ | 3~ | | 1~ | 3~ | 0 | 3 | 6 | 9 | 12 | 15 | 18 |
| | | | 1- 230V 50 Hz | 3- 400V 50 Hz | 0 | 50 | 100 | 150 | 200 | 250 | 300 |
| | | | | | H (m) | | | | | | |
| DR 80 (G) | DR 80T | 980 | 4,3 | 2,1 | 15,7 | 14,9 | 13,8 | 11,7 | 8,6 | 4,3 | |
| DR 100 (G) | DR 100T | 1370 | 6,2 | 2,8 | 19,4 | 18,5 | 17,1 | 15,2 | 12,6 | 9,3 | 4,4 |



E: maximum emptying level
Mt: minimum liquid level for continuous duty

| TYPE | DIMENSIONS (mm) | | | | | | | | | | Kg |
|------------|-----------------|-----|-------|----|----|-----|----------|-----|-----|-----|------|
| | B | C | D | E | H2 | Mt | DNM | I | L | M | |
| DR 80 (G) | 105 | 330 | 218.5 | 45 | 70 | 190 | 1" 1/2 G | 180 | 255 | 380 | 14,5 |
| DR 100 (G) | 105 | 330 | 218.5 | 45 | 70 | 190 | 1" 1/2 G | 180 | 255 | 380 | 16 |